

# PRODUCT INFORMATION PACKET



Model No: 122201.00  
Catalog No: 122201.00  
1 HP Washdown Motor, 3 phase, 1800 RPM, 208-230/460 V, 143TC Frame, TEFC  
Paint Free NEMA Washdown Motors



Regal and Leeson are trademarks of Regal Beloit Corporation or one of its affiliated companies.  
©2019 Regal Beloit Corporation, All Rights Reserved. MC017097E





**Nameplate Specifications**

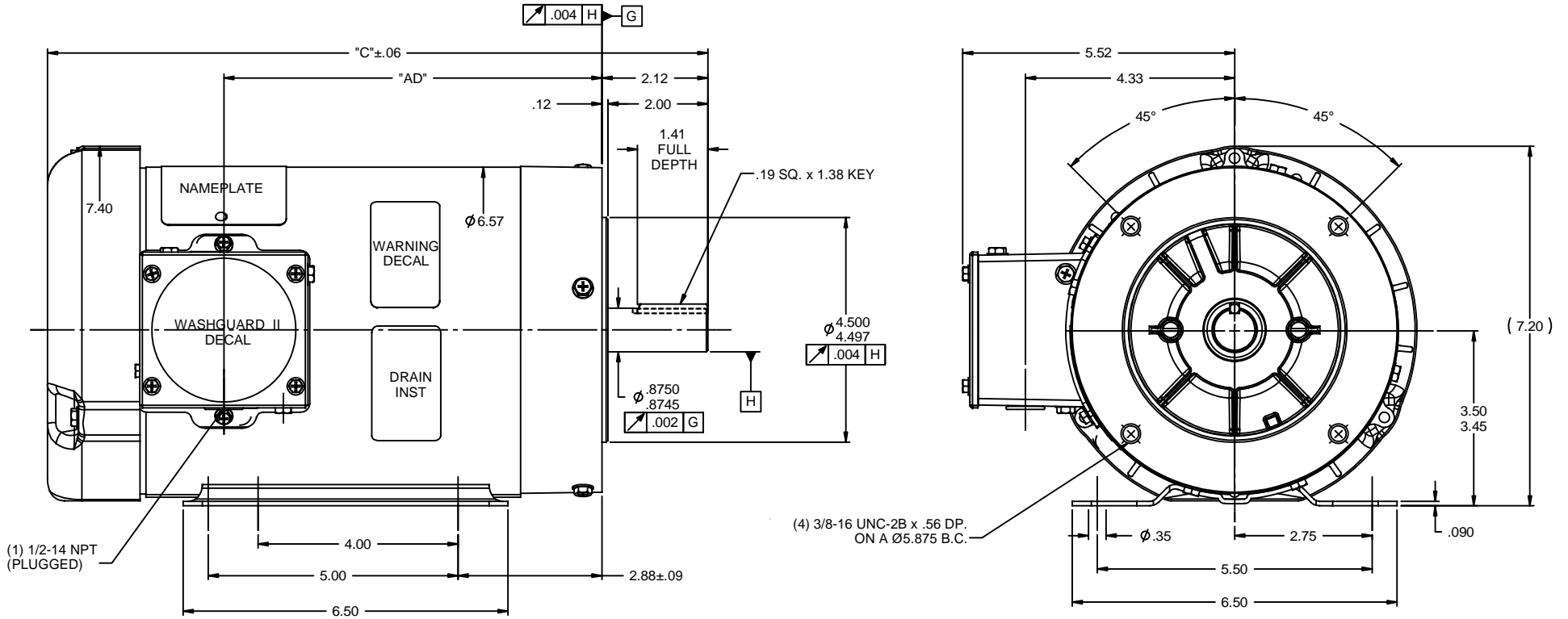
Output HP	<b>1 Hp</b>	Output KW	<b>0.75 kW</b>
Frequency	<b>60 Hz</b>	Voltage	<b>208-230/460 V</b>
Current	<b>3.2-3.2/1.6 A</b>	Speed	<b>1760 rpm</b>
Service Factor	<b>1.15</b>	Phase	<b>3</b>
Efficiency	<b>85.5 %</b>	Power Factor	<b>68.5</b>
Duty	<b>Continuous</b>	Insulation Class	<b>F</b>
Design Code	<b>B</b>	KVA Code	<b>N</b>
Frame	<b>143TC</b>	Enclosure	<b>Totally Enclosed Fan Cooled</b>
Thermal Protection	<b>No</b>	Ambient Temperature	<b>40 °C</b>
Drive End Bearing Size	<b>6205</b>	Opp Drive End Bearing Size	<b>6203</b>
UL	<b>Recognized</b>	CSA	<b>Y</b>
CE	<b>N</b>	IP Code	<b>55</b>

**Technical Specifications**

Electrical Type	<b>Squirrel Cage Inverter Rated</b>	Starting Method	<b>Line Or Inverter</b>
Poles	<b>4</b>	Rotation	<b>Reversible</b>
Resistance Main	<b>12.96 Ohms</b>	Mounting	<b>Rigid base</b>
Motor Orientation	<b>Horizontal</b>	Drive End Bearing	<b>Ball</b>
Opp Drive End Bearing	<b>Ball</b>	Frame Material	<b>Stainless Steel</b>
Shaft Type	<b>T</b>	Overall Length	<b>12.72 in</b>
Frame Length	<b>7.00 in</b>	Shaft Diameter	<b>0.875 in</b>
Shaft Extension	<b>2.12 in</b>	Assembly/Box Mounting	<b>F1 Only</b>

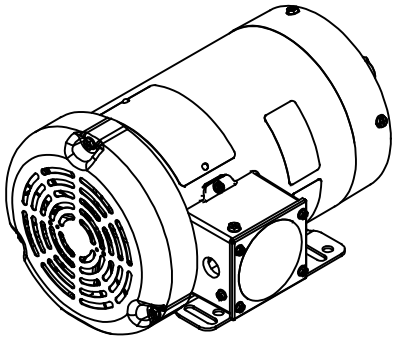
This is an uncontrolled document once printed or downloaded and is subject to change without notice. Date Created:01/11/2019

RBC PROPRIETARY AND CONFIDENTIAL INFORMATION  
 This document is the property of REGAL BELOIT CORPORATION ("RBC") including its subsidiaries and divisions and contains proprietary information of RBC. This document is loaned on the express condition that neither it nor the information contained therein shall be disclosed to others without the express written consent of RBC, and that the information shall be used by the recipient only as approved expressly by RBC. This document shall be returned to RBC upon its request. This document may be subject to certain restrictions under U.S. export control laws and regulations.



DASH NO.	"C"	"AD"
650	12.22	6.57
700	12.72	7.07
750	13.22	7.57
800	13.72	8.07

- WASHGUARD FEATURES
- 1) SHAFT SEALS & V-RING.
  - 2) PLUGGED DRAIN HOLES IN ENDBELLS & CONDUIT BOX.
  - 3) BUNA - N GASKETS THROUGHOUT.
  - 4) STAINLESS STEEL SHAFT, HARDWARE, FRAME & NAMEPLATE
  - 5) CORROSION RESISTANT FINISH ON ENDBELLS AND CONDUIT BOX



TOLERANCES UNLESS SPECIFIED		ELECTRIC MOTORS GEARMOTORS AND DRIVES		DRAWN GRB 07/09/08	
DEC	INCHES			CHK DJ 07/09/08	
x	±.1			APPR	
.XX	±.03	TITLE OUTLINE - 140TC FRAME		SCALE 1:2	
.XXX	±.005	TEFC - "C" FACE		REF 028749	
.01	ADDED DASH NO. 800 (121913.00)	PG 9/16/2010	MATL	FMF G121167.00	
REVISION		BY & DATE	CHK ANG ±1/2°	PAGE OF	
THIRD ANGLE PROJECTION		RFP 07/09/08	FINISH WASHGUARD	SIZE B	DRAWING NO 028847
		PREV	NETWORK FILE NAME 028847	REV	01